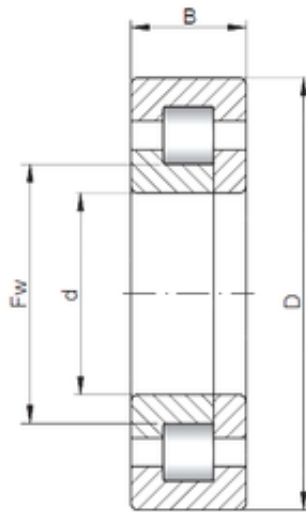




BEARING USA CORP.



105 mm x 190 mm x 65,1 mm ISO NUP3221
cylindrical roller bearings

Bearing No. NUP3221

Size	105x190x65.1 mm
Bore Diameter	105 mm
Outer Diameter	190 mm
Width	65,1 mm
d	105 mm
D	190 mm
B	65,1 mm
C	65,1 mm

NUP3221 Bearing 2D drawings and 3D CAD models