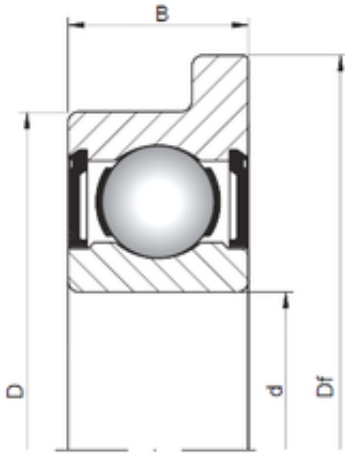




BEARING USA CORP.



7 mm x 14 mm x 5 mm ISO FL618/7 ZZ deep groove ball bearings

Bearing No. FL618/7 ZZ

Size	7x14x5 mm
Bore Diameter	7 mm
Outer Diameter	14 mm
Width	5 mm
d	7 mm
D	14 mm
B	5 mm
C	5 mm
Df	16 mm

FL618/7 ZZ Bearing 2D drawings and 3D CAD models