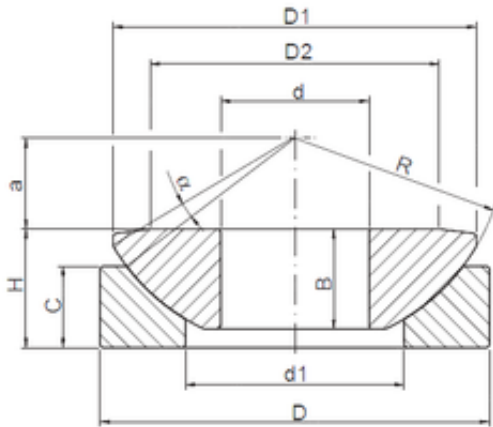




# BEARING USA CORP.

20 mm x 55 mm x 14,3 mm ISO GW 020 plain bearings



Bearing No. GW 020

Size	20x55x20 mm
Bore Diameter	20 mm
Outer Diameter	55 mm
Width	20 mm
d	20 mm
D	55 mm
H	20 mm
a	12,5 mm
d1	33,5 mm
B	14,3 mm
C	13 mm
D1	50 mm
D2	40 mm
R	60 mm
Angle	6 °

GW 020 Bearing 2D drawings and 3D CAD models