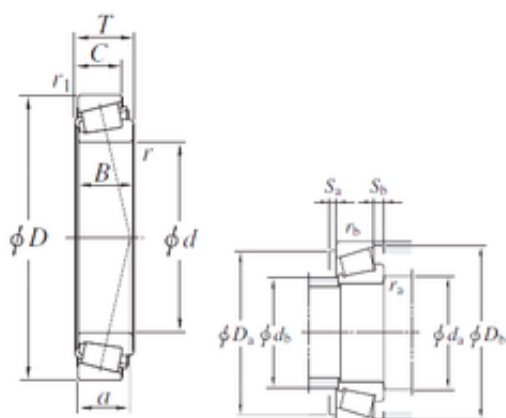




## BEARING USA CORP.

247,65 mm x 346,075 mm x 63,5 mm KOYO  
M348449/M348410 tapered roller bearings

Bearing No. M348449/M348410



M348449/M348410 Bearing 2D drawings and 3D CAD models

Size	247.65x346.075x63.5 mm
Bore Diameter	247,65 mm
Outer Diameter	346,075 mm
Width	63,5 mm
d	247,65 mm
D	346,075 mm
T	63,5 mm
B	63,5 mm
C	50,8 mm
a	61,7 mm
r min.	6,4 mm
r1 min.	6,4 mm
da min.	267 mm
Da min	319 mm
Da max.	327 mm
db max.	268 mm
ra max.	6,4 mm
rb max.	6,4 mm
Db	330 mm
Weight	17,4 Kg
Basic dynamic load rating (C)	726 kN
Basic static load rating (C0)	1440 kN
Calculation factor (e)	0,34
Calculation factor (Y0)	0,96