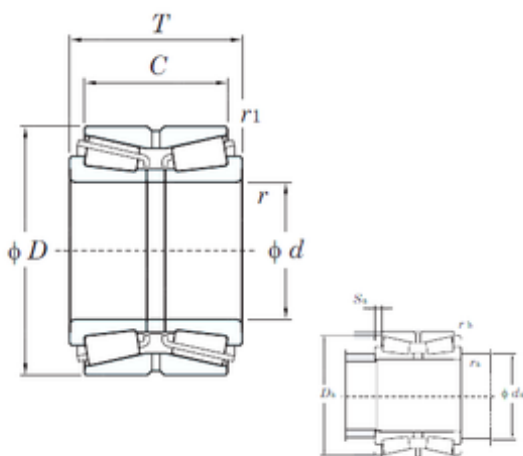




BEARING USA CORP.



KOYO 46332A tapered roller bearings

Bearing No. 46332A

Size	160x270x108 mm
Bore Diameter	160 mm
Outer Diameter	270 mm
Width	108 mm
d	160 mm
D	270 mm
T	108 mm
C	86 mm
r min.	3 mm
r1 min.	1 mm
da min.	174 mm
Da min	252 mm
ra max.	2,5 mm
rb max.	1 mm
Weight	23,1 Kg
Basic dynamic load rating (C)	727 kN
Basic static load rating (C0)	1270 kN
(Grease) Lubrication Speed	1000 r/min
(Oil) Lubrication Speed	1400 r/min
Calculation factor (e)	0,35
Calculation factor (Y0)	1,91
Bearing No.	46332A
r(min)	3
r1(min)	1
Cr	871
C0r	1270

46332A Bearing 2D drawings and 3D CAD models



BEARING USA CORP.

Cu	75.1
Grease lub.	1000
Oil lub.	1400
da(min)	174
Da(min)	264
Sa(min)	11
ra(max)	2.5
rb(max)	1
e	0.35
Y2	1.95
Y3	2.90
Y0	1.91
(Refer.)Mass(kg)	23.1