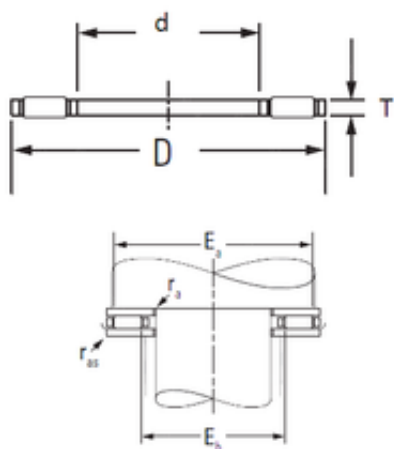




# BEARING USA CORP.

## KOYO AXK75100 needle roller bearings



Bearing No. AXK75100

Size	75x100x4 mm
Bore Diameter	75 mm
Outer Diameter	100 mm
Width	4 mm
d	75 mm
D	100 mm
T	4 mm
ra max.	0.6 mm
Ea	98.0 mm
Eb	79.0 mm
Weight	0.058 Kg
Basic dynamic load rating (C)	55.1 kN
Basic static load rating (C0)	266 kN
Category	Roller Bearings
Inventory	0.0
Manufacturer Name	KOYO
Minimum Buy Quantity	N/A
Weight / Kilogram	0.051
Product Group	B04144
Bearing No.	AXK75100
Dc1	75
Dc	100
Dw	4
Ca	55.1
C0a	266
Cu	29.4

AXK75100 Bearing 2D drawings and 3D CAD models



## BEARING USA CORP.

Oil lub.	4200
ra(max)	0.6
(Refer.)Mass(kg)	0.058
D,d1	100
D1	77
h1	1.00 mm
Washer designation	AS75100
(Refer.)Mass(kg)	0.027
h	5.75 mm
a	1.50 mm
Washer designation	LS75100
(Refer.)Mass(kg)	0.1500
h	5.75 mm
rs(min)	1.00
Washer designation Shaft piloted	WS.81115
Washer designation Housing piloted	GS.81115
(Refer.)Mass(kg)	0.155