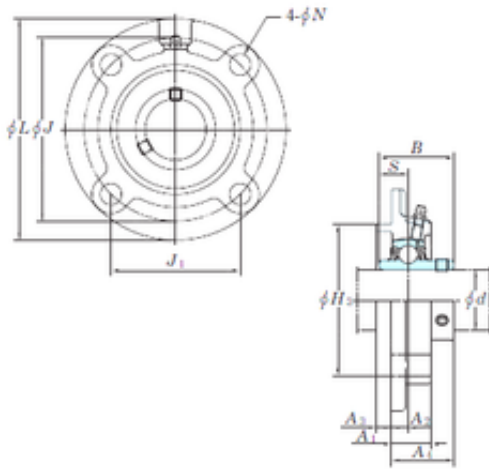




BEARING USA CORP.

KOYO UCFCX20-63E bearing units



Bearing No. UCFCX20-63E

Bore Diameter	100,0125 mm
d	100,0125 mm
H3	206,375 mm
A4	90,3 mm
A1	66 mm
B	117,5 mm
J	238 mm
L	276 mm
N	23 mm
S	49,2 mm
Bolt (G)	M20
A2	22 mm
A3	28 mm
J1	168,3 mm
Weight	18,2 Kg
Basic dynamic load rating (C)	133 kN
Basic static load rating (C0)	105 kN

UCFCX20-63E Bearing 2D drawings and 3D CAD models