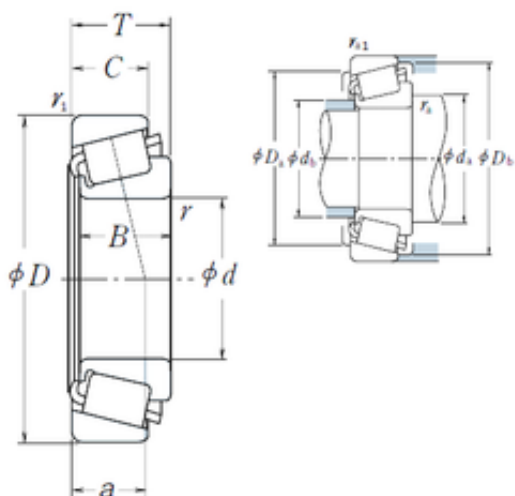




BEARING USA CORP.

100 mm x 150 mm x 30 mm NSK
JLM820048/JLM820012 tapered roller bearings

Bearing No. JLM820048/JLM820012



JLM820048/JLM820012 Bearing 2D drawings and 3D CAD models

Size	100x150x32 mm
Bore Diameter	100 mm
Outer Diameter	150 mm
Width	32 mm
d	100 mm
D	150 mm
T	32 mm
B	30 mm
C	26 mm
ra1 max.	2,3 mm
a	36,8 mm
r min.	2,3 mm
r1 min.	2,3 mm
Da	135 mm
db	107 mm
ra max.	2,3 mm
da	111 mm
Db	144 mm
Weight	1,886 Kg
Basic dynamic load rating (C)	146 kN
Basic static load rating (C0)	235 kN
(Grease) Lubrication Speed	2200 r/min
(Oil) Lubrication Speed	3000 r/min
Calculation factor (e)	0,5
Calculation factor (Y0)	0,66



BEARING USA CORP.

LangID	1
ALP23	0
outer r	2.3
ALP22	58
D_	150
ALP21	36
SHOG_yobi	JLM820048R/012R
RAr	225.952
inner r	2.3
GRS rpm	2200
D_b	144
D_a	135
DE_	136.275
SLR	20.2
Prod_Type3	TRBSR_ID_A
BETA_	1
ALPHA_	18.483
SDM_	125.798
DA1	12.158
DA2	11.075
hidYobi	JLM820048/JLM820012
Y1	1.2
B_	30
Oil rpm	3000
hidTable	ecat_NSTPRI
Y0	0.66
inner ra	2.3
outer rb	2.3
C0	235
CUP	0.616
e	0.5
DA_	11.619



BEARING USA CORP.

BET21	3
BET22	5
BET23	0
Z_	28
C_	26
yobi	JLM820048/JLM820012
KBRG	3141
CONE	1.27
DI_	60