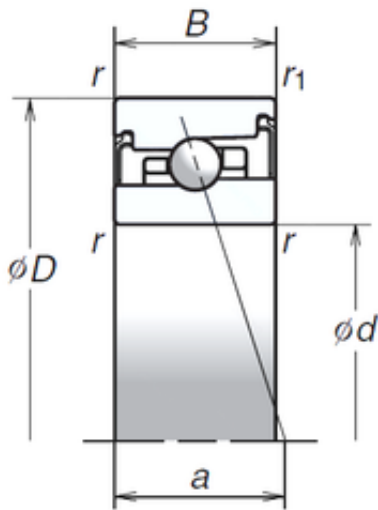




BEARING USA CORP.



80 mm x 125 mm x 27 mm NSK 80BER20SV1V
angular contact ball bearings

Bearing No. 80BER20SV1V

Size	80x125x27 mm
Bore Diameter	80 mm
Outer Diameter	125 mm
Width	27 mm
d	80 mm
D	125 mm
B	27 mm
C	27 mm
Angle (°)	25 °
a	37,4 mm
r min.	1,1 mm
r1 min.	0,6 mm
Weight	1,115 Kg
Basic dynamic load rating (C)	25,3 kN
Basic static load rating (C0)	23,5 kN
(Grease) Lubrication Speed	11 800 r/min

80BER20SV1V Bearing 2D drawings and 3D CAD models