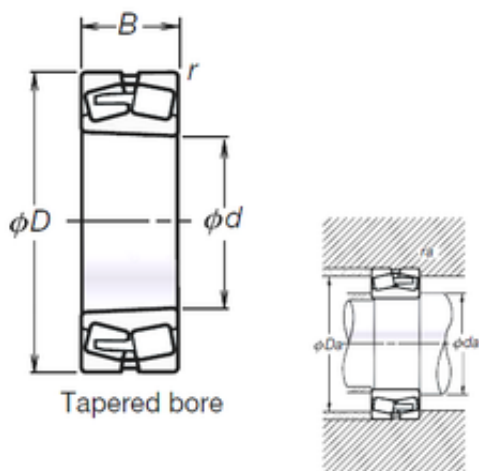




BEARING USA CORP.



220 mm x 400 mm x 144 mm NSK
TL23244CAKE4 spherical roller bearings

Bearing No. TL23244CAKE4

Size	220x400x144 mm
Bore Diameter	220 mm
Outer Diameter	400 mm
Width	144 mm
d	220 mm
D	400 mm
B	144 mm
C	144 mm
r min.	4 mm
da min.	238 mm
Da min	382 mm
Da max.	337 mm
ra max.	3 mm
Weight	79,5 Kg
Basic dynamic load rating (C)	36,801 kN
Basic static load rating (C0)	3400 kN
(Grease) Lubrication Speed	670 r/min
(Oil) Lubrication Speed	900 r/min
Calculation factor (e)	0,36
Calculation factor (Y0)	1,8
Calculation factor (Y2)	2,8

TL23244CAKE4 Bearing 2D drawings and 3D CAD models