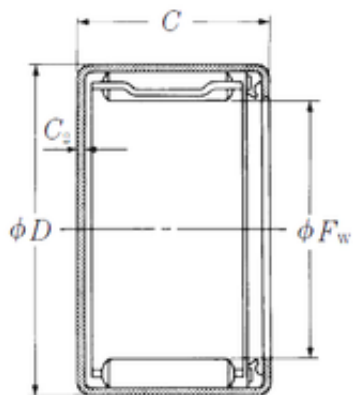




## BEARING USA CORP.

### NSK MFJT-1414 needle roller bearings



Bearing No. MFJT-1414

|                                |             |
|--------------------------------|-------------|
| Dimensione                     | 14x20x14 mm |
| Marchio                        | NSK         |
| Diametro del foro              | 14 mm       |
| Diametro esterno               | 20 mm       |
| Larghezza                      | 14 mm       |
| Fw                             | 14 mm       |
| D                              | 20 mm       |
| C                              | 14 mm       |
| C2                             | 1 mm        |
| Peso                           | 0,012 Kg    |
| Carico dinamico di base<br>(C) | 6,5 kN      |

MFJT-1414 Bearing 2D drawings and 3D CAD models