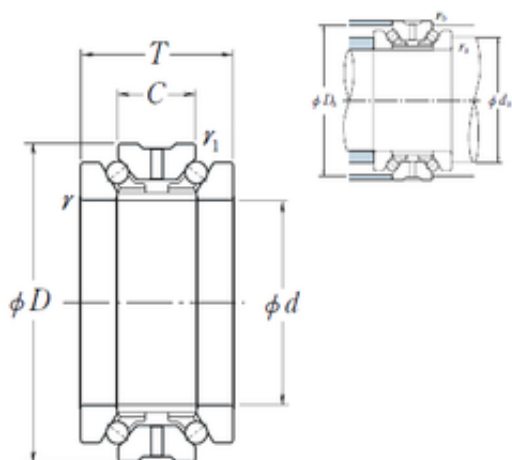




# BEARING USA CORP.

## NSK 80TAC20X+L thrust ball bearings

Bearing No. 80TAC20X+L



80TAC20X+L Bearing 2D drawings and 3D CAD models

Size	80x125x54 mm
Bore Diameter	80 mm
Outer Diameter	125 mm
Width	54 mm
d	80 mm
D	125 mm
T	54 mm
C	27 mm
Angle ( ° )	60 °
r min.	1,1 mm
r1 min.	0,6 mm
Da	117 mm
ra max.	1 mm
rb max.	0,6 mm
da	99 mm
Weight	2,11 Kg
Basic dynamic load rating (C)	59 kN
Basic static load rating (C0)	181 kN
(Grease) Lubrication Speed	4400 r/min