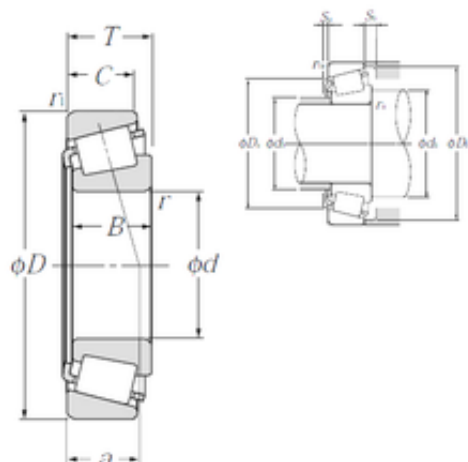




BEARING USA CORP.

20 mm x 52 mm x 16 mm NTN 4T-30304CA tapered roller bearings



Bearing No. 4T-30304CA

Size	20x52x16.25 mm
Bore Diameter	20 mm
Outer Diameter	52 mm
Width	16,25 mm
d	20 mm
D	52 mm
T	16,25 mm
B	16 mm
C	12 mm
ra1 max.	1,5 mm
a	13,5 mm
r min.	1,5 mm
r1 min.	1,5 mm
da min.	28,5 mm
Da min	39,5 mm
Da max.	43,5 mm
db max.	27,5 mm
Db min.	48 mm
ra max.	1,5 mm
Sa	3 mm
Sb	4 mm
Weight	0,17 Kg
Basic dynamic load rating (C)	31 kN
Basic static load rating (C0)	31 kN
(Grease) Lubrication Speed	7 600 r/min

4T-30304CA Bearing 2D drawings and 3D CAD models



BEARING USA CORP.

(Oil) Lubrication Speed	10 000 r/min
Calculation factor (e)	0,55
Calculation factor (Y0)	0,6