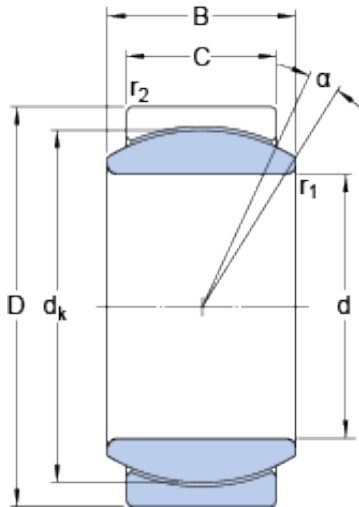




BEARING USA CORP.

30 mm x 47 mm x 22 mm SKF GE 30 C plain bearings

Bearing No. GE 30 C



GE 30 C Bearing 2D drawings and 3D CAD models

Size	47x30x22 mm
Bore Diameter	47 mm
Outer Diameter	30 mm
Width	22 mm
d	30 mm
D	47 mm
B	22 mm
C	18 mm
	6 °
dk	40.7 mm
r ₁ - min.	0.6 mm
r ₂ - min.	0.6 mm
d _a - min.	32.8 mm
d _a - max.	34.2 mm
D _a - min.	38.7 mm
D _a - max.	44.4 mm
r _a - max.	0.6 mm
r _b - max.	0.6 mm
Basic dynamic load rating - C	65.5 kN
Basic static load rating - C ₀	166 kN
Specific factor dynamic load - K	100 N/mm ²
Specific factor static load - K ₀	250 N/mm ²
Constant - K _M	1400



BEARING USA CORP.

Category	Spherical Plain Bearings - Radial
Inventory	0.0
Manufacturer Name	SKF
Minimum Buy Quantity	N/A
Weight / Kilogram	0.156
Product Group	B04264
Self Aligning	Yes
Rolling Element	Spherical Plain
Material - Outer Member	Steel
Material - Ball	Steel
Material - Liner	Teflon Sintered Bronze
Relubricatable	No
Enclosure	Open
Other Features	2 Piece Maintenance Free Chrome Plated Ball Self Lubricating
Long Description	30MM Bore; 18MM Housing Width; 47MM Outside Diameter; Spherical Plain; Steel Outer Member; Steel Ball; Teflon Sintered Bronze Liner; 22MM Overall Width; Not Relubricatable
Inch - Metric	Metric
Category	Plain Bearings Spherical Radial
UNSPSC	31171515
Harmonized Tariff Code	8483.30.80.70
Noun	Bearing
Keyword 3	Spherical
Keyword String	Plain Spherical Radial
Manufacturer URL	http://www.skf.com
Manufacturer Item Number	GE 30 C
Weight / LBS	0.353



BEARING USA CORP.

Outside Diameter	1.85 Inch 47 Millimeter
Bore	1.181 Inch 30 Millimeter
Housing Width	0.709 Inch 18 Millimeter
Overall Width	0.866 Inch 22 Millimeter
bore diameter:	30 mm
outer ring width:	18 mm
outside diameter:	47 mm
grade:	Commercial/Industrial
misalignment angle:	6 °
race material:	PTFE Composite
inner ring width:	22 mm
overall width:	22 mm
bearing type:	Radial
radial static load capacity:	166 kN
lubrication type:	Maintenance Free/Self-Lubricating
radial dynamic load capacity:	65.5 kN
closure type:	Open
operating temperature range:	-50 to +150 ° C ° F
outer ring material:	Steel
manufacturer upc number:	7316576609312
inner ring material:	Steel
Lubricant	Maintenance free – dry lubrication
Design (sliding contact surface combination)	Steel/PTFE sintered bronze
Sealing solution	-
	6 °
d _k	40.7 mm
r ₁ min.	0.6 mm
r ₂ min.	0.6 mm
d _a min.	32.8 mm



BEARING USA CORP.

d_a max.	34.2 mm
D_a min.	38.7 mm
D_a max.	44.4 mm
r_a max.	0.6 mm
r_b max.	0.6 mm
Basic dynamic load rating C	65.5 kN
Basic static load rating C_0	166 kN
Specific dynamic load factor K	100 N/mm ²
Specific static load factor K_0	250 N/mm ²
Material constant K_M	1400
Mass plain bearing	0.16 kg